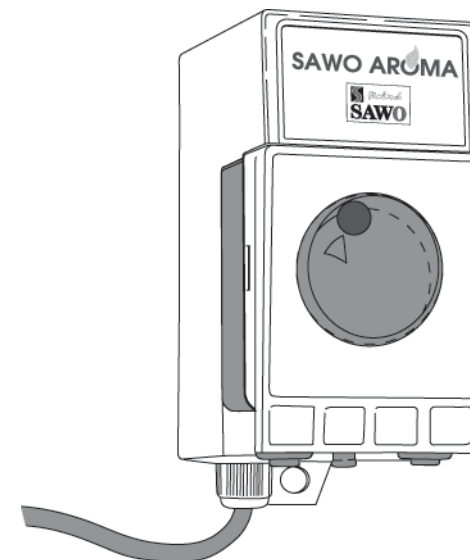




SAWO AROMA



Sawo Aroma is designed to work with Sawo STP steam generators. Make sure that STP generator is equipped with Aroma option before connecting Sawo Aroma pump. Without Aroma option STP generator is not capable of controlling Sawo Aroma.

Using SAWO Aroma with other generators is not recommend and not covered by warranty.

AROMA_ML(En0809)

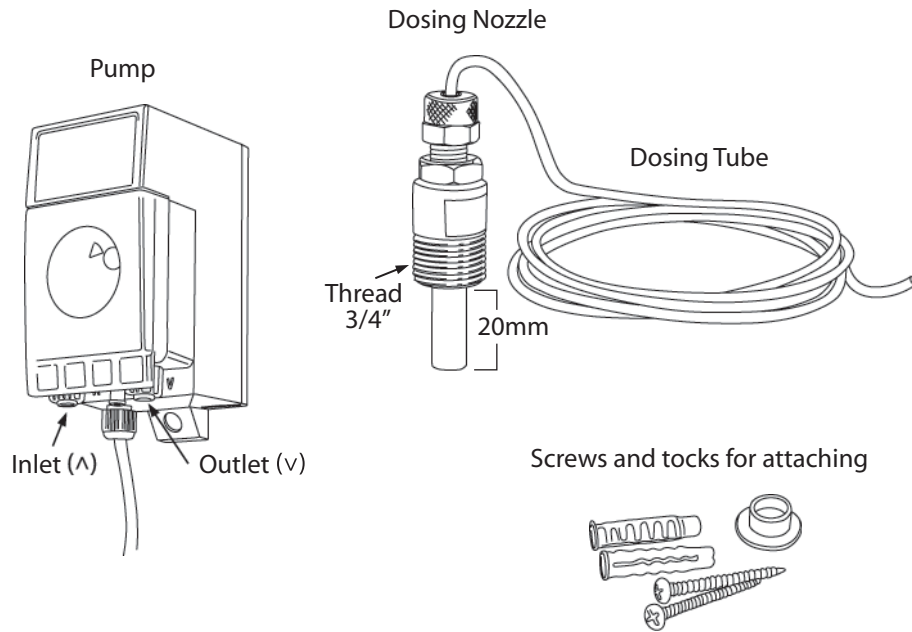


www.sawo.com
info@sawo.com



Subject to change without notice.

Parts included in SAWO Aroma



Pre-installation notes:

1. Choose a location for aroma pump so that changing aroma canister is convenient. Aroma pump has 3m long connection cable. If you wish to install aroma pump further from steam generator, use 2x0.75mm² copper cable for extension.
2. Installation has to be done in a way that aroma oils cannot flow to steam generator. Aroma oils inside steam generator will prevent normal operation and will damage unit. For proper installation see picture 3.
3. When changing aroma canister, check pump for leaks. Change dosing hose if needed.

4. Maintenance

Check the dosing hose and roller every time you change aroma canister. No leak is allowed. Change hose if clear signs of wearing out are visible.

Change roller if rolls are not pressing dosing hose strongly enough. For example springs are corroded or rolls have worn out.

Note 1

If the unit is taken out for service remove the dosing hose from pump to prevent long term deformation of the hose.

Operating the pump:

Use only fragrances meant for steam generator use. Follow the instructions in the fragrance packing. If you feel uncomfortable or aroma is too intense, leave steam room.

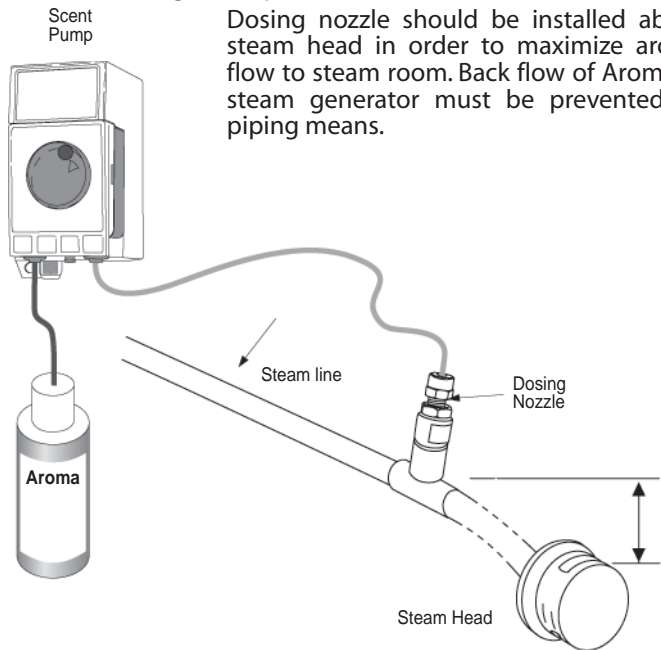
1. Turn on main breaker and main switch to energize steam generator.
2. Turn on steam generator by pressing on/off button. Switch scent pump on by short pressing "Fan/Scent" button. Each time the scent pump is switched on the interval of the scent pump functioning is displayed.
3. Interval can be changed by pressing "up" or "down" arrow buttons between 1 and 20. Setting 1 is low dose and 19 is the highest. Keep "up" arrow button pressed for setting 20 and pump will pump continuously.
4. If no keys are pressed within 5 seconds, temperature or session time will be displayed and the scent pump setting is saved.
5. If scent pump is on when the session time expires or the steam generator is turned off by pressing "power" button, scent pump will turn off too. Scent pump "on" and "interval" settings are saved and pump starts automatically on the next session.
6. To switch off the scent pump short press "Fan/Scent" button.

Note 2

Before switching scent pump on make sure there is enough aroma in the aroma container. Never run the scent pump dry. If aroma canister and hoses had got empty, the dosing system is easy to refill quickly: Press and hold "Up" arrow button to reach max. value 20 and scent pump will run continuously. It will take about 10 seconds for every 1 meter of pipeline for aroma liquid to flow.

Fig.2 Proper installation

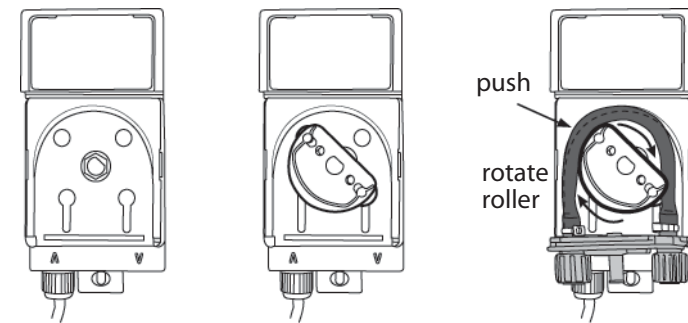
Dosing nozzle should be installed above steam head in order to maximize aroma flow to steam room. Back flow of Aroma to steam generator must be prevented by piping means.



Installation

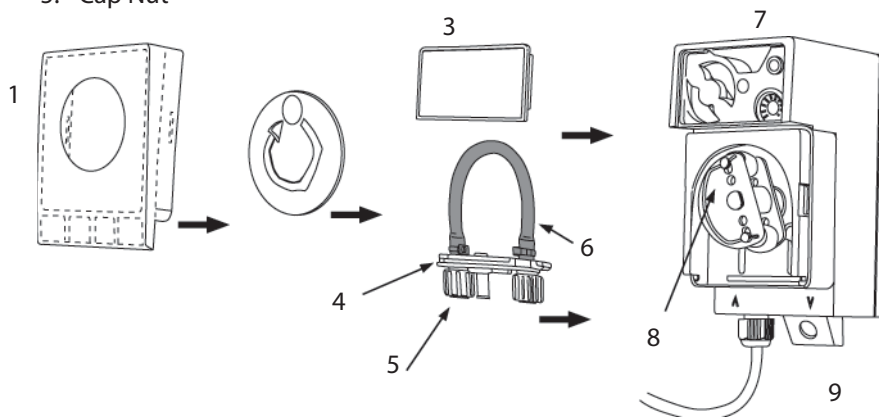
1. Insert hose holder and dosing hose to pump.
 - a. Remove the transparent pump cover.
 - b. Attach yellow roller if not ready placed.
 - c. Push hose holder to its place. Don't use much force.
 - d. Rotate roller slowly to place black dosing hose between roller and pump housing. Black dosing hose must follow inside upper curve of the pump housing so that it will be compressed by each roller. Attention: The black dosing hose must not be fitted twisted.
 - e. Attach blue roller cover and transparent pump cover

Fig.3 Inserting Hose Holder & Dosing Hose To Pump.



Aroma Pump Parts

1. Pump Cover
2. Safety Disc for Roller
3. Housing Cover
4. Hose Holder
5. Cap Nut
6. Dosing Hose
7. Pump Housing
8. Roller
9. Supply Chord 3m



2. If pump is not used for longer period of time, dosing hose is advised to be removed. This prevents deformation of dosing hose.
3. Holes for the fixing screws must be bored in vertical distance of 120mm. Attach upper fixing screw so that head of the screw comes out from the wall/4mm. Remove housing cover to reveal screw hole. Hang the pump to the screw and tighten it. Attach and tighten lower screw.
4. Attach dosing tube as illustrated in picture 4. Cut piece from dosing tube to be used for suction of aroma. Suction tube must be long enough to reach bottom of the aroma canister.
5. Couple dosing nozzle to steam pipe using pipe fitting made of brass, copper or stainless steel. Dosing nozzle has 3/8" thread. Connect dosing tube to nozzle in the same way as to aroma pump.

6. Only licensed electrician can make electrical connection between aroma pump and steam generator. Remove power supply from steam generator by flipping circuit breaker. Open the top cover of steam generator to access terminal block. Connect Aroma pump's supply cord to terminal block terminals labeled with "Scent Pump". Polarity of connection is insignificant.
7. Place full aroma canister under pump and insert suction tube into canister through a hole in the cap. Drill 6mm hole to canister's cap if needed.

