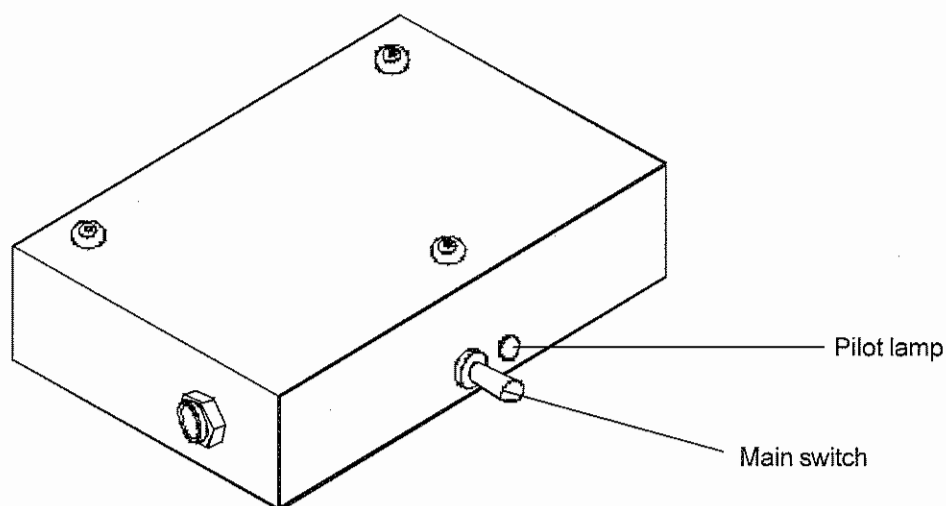


Contactora box 2005-3



The contactor box 2005-3 can be used with following heaters:

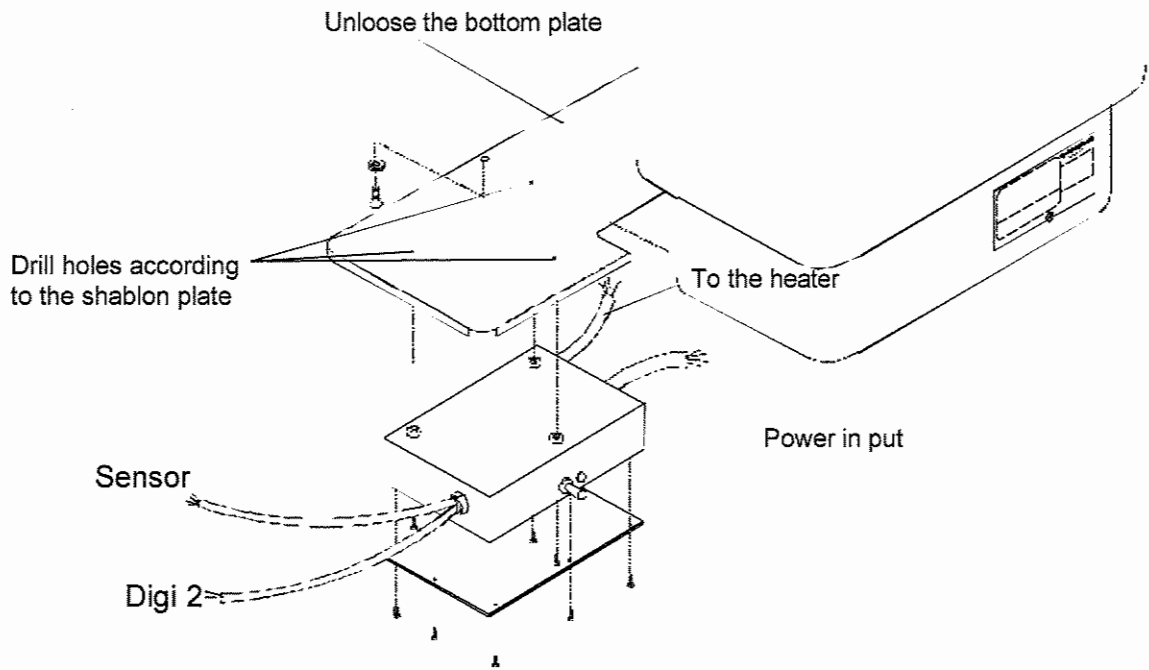
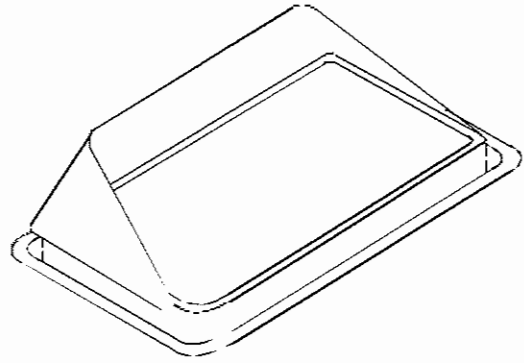
- | | |
|-------------|-------------|
| - SKSM...D | 1712...04 |
| - SKSM...DW | 1712...0402 |
| - SKSO....D | 1714...04 |

The contactor box can be mounted under the heater, look at the instructions on following pages. The contactor box can also be mounted outside the sauna room.

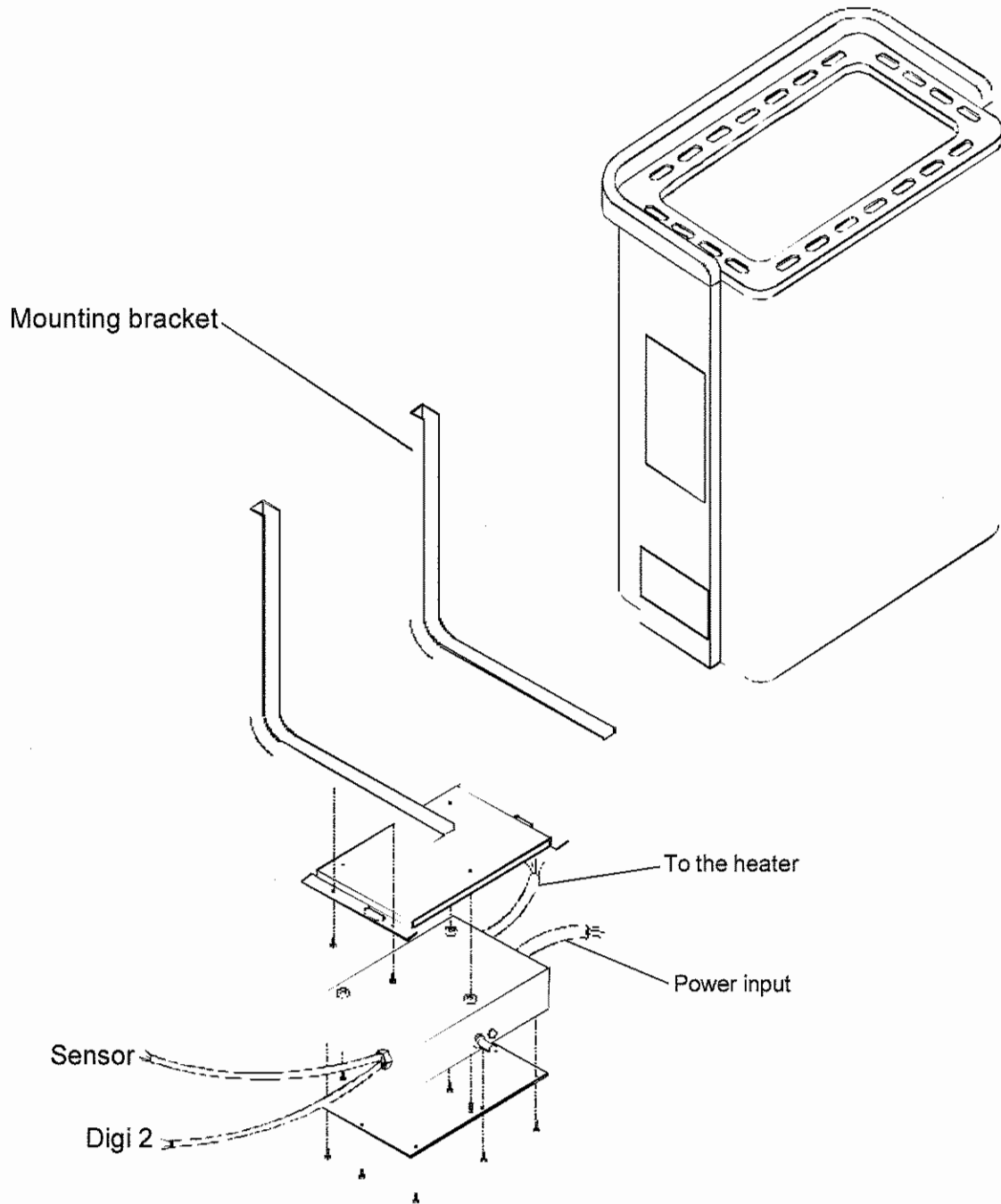
All installation distances have to be followed, otherwise it can cause a fire.

Check the sauna room always before putting on the heater.

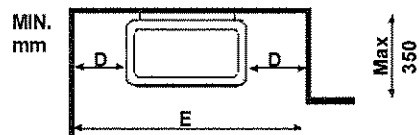
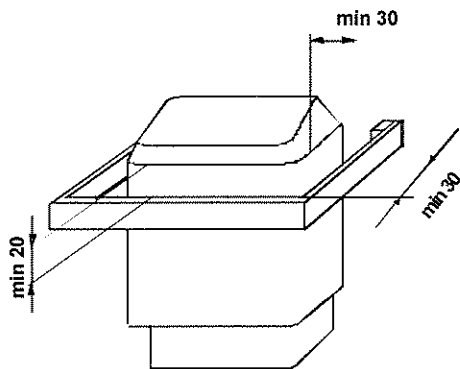
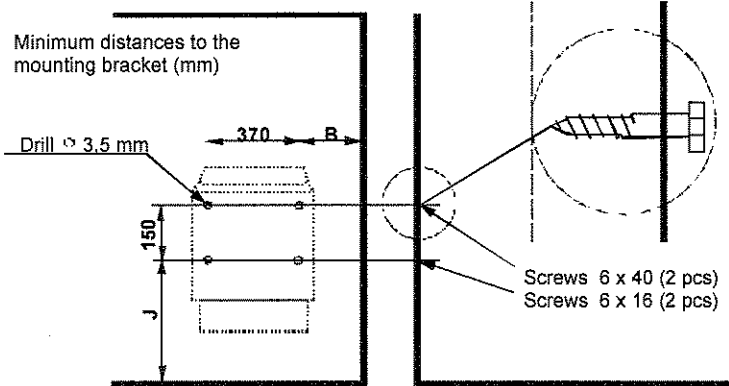
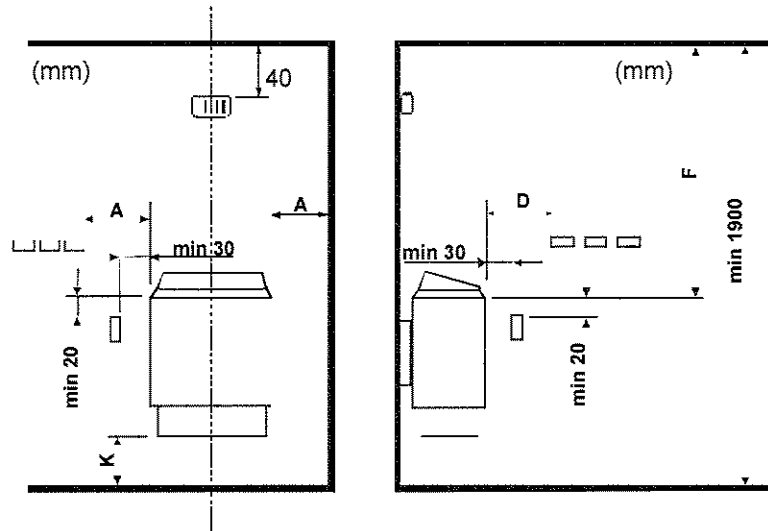
SKSM....D DW
171204 0420



SKSO....D
171404

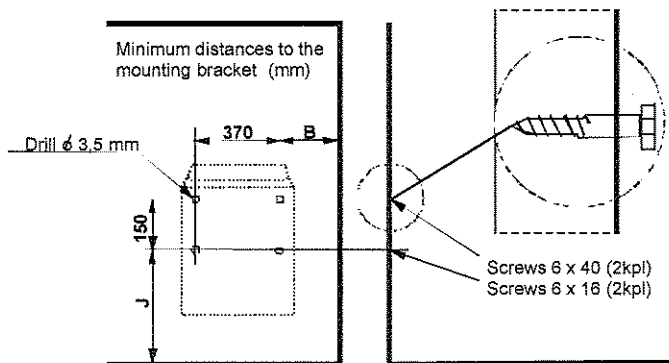
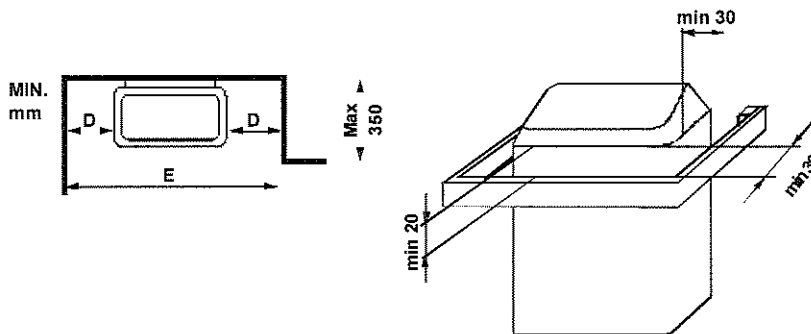
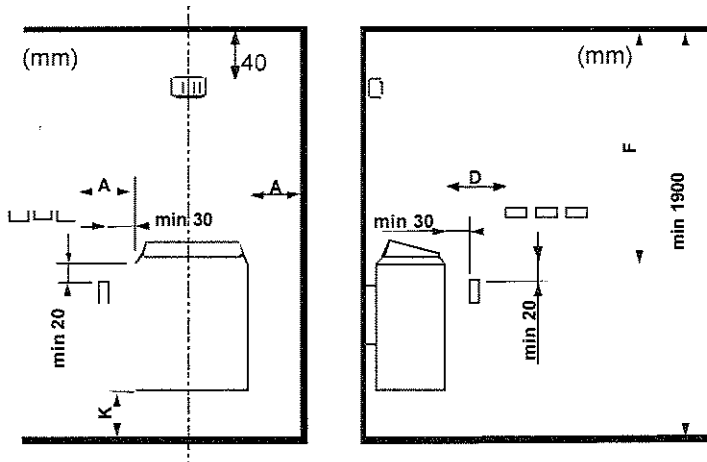


| Sauna room | | | Minimum distance to: | | | Minimum distance for the wall bracket | | | | Stone | Supply connections |
|------------|----------------|--------|----------------------|-------------|---------|---------------------------------------|-------|-----|-----|-------|------------------------|
| | Volume | Height | Side wall | In front of | Ceiling | Floor | Niche | | | | Cable size |
| kW | m ³ | mm | A | D | F | K | E | B | J | kg | H07RN-F |
| | | | mm | mm | mm | mm | mm | mm | mm | | Heater |
| 3,0 | 2 - 4 | 1900 | 30 | 50 | 1200 | 120 | 540 | 50 | 390 | 15 | 5 x 1,5mm ² |
| 4,5 | 3 - 6 | 1900 | 50 | 80 | 1200 | 120 | 580 | 70 | 390 | 15 | 5 x 1,5mm ² |
| 6,0 | 5 - 9 | 1900 | 70 | 100 | 1250 | 120 | 650 | 90 | 390 | 23 | 5 x 1,5mm ² |
| 8,0 | 8 - 13 | 1900 | 100 | 150 | 1250 | 120 | 750 | 120 | 390 | 23 | 5 x 2,5mm ² |
| 9,0 | 9 - 14 | 1900 | 100 | 200 | 1250 | 120 | - | 120 | 390 | 23 | 5 x 2,5mm ² |



Minimum distances (mm)

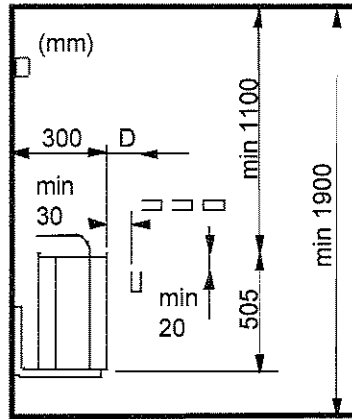
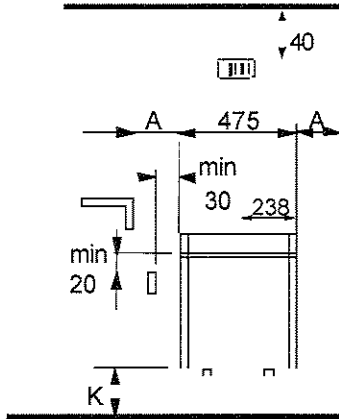
| kW | Saunaroom | | Minimum distance to: | | | | | Minimum distance for the wall bracket | | Stone kg |
|-----|-----------------------|-----------|----------------------|----------------|------------|----------|----------|---------------------------------------|------|----------|
| | Volume m ³ | Height mm | Side mm | in front of mm | Ceiling mm | Floor mm | Niche mm | B mm | J mm | |
| 3,0 | 2 - 4 | 1900 | 30 | 50 | 1200 | 120 | 540 | 50 | 390 | 15 |
| 4,5 | 3 - 6 | 1900 | 50 | 80 | 1200 | 120 | 580 | 70 | 390 | 15 |
| 6,0 | 5 - 9 | 1900 | 70 | 100 | 1250 | 120 | 650 | 90 | 390 | 23 |
| 8,0 | 8 - 13 | 1900 | 100 | 150 | 1250 | 120 | 750 | 120 | 390 | 23 |
| 9,0 | 9 - 14 | 1900 | 100 | 200 | 1250 | 120 | - | 120 | 390 | 23 |



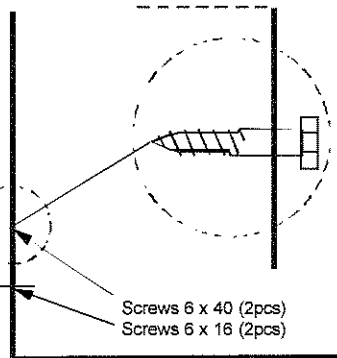
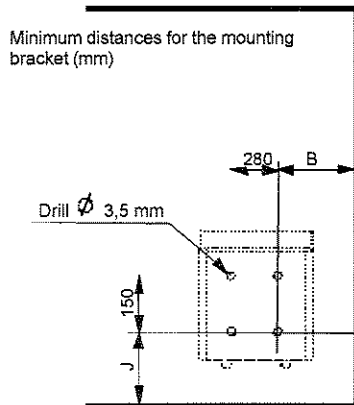
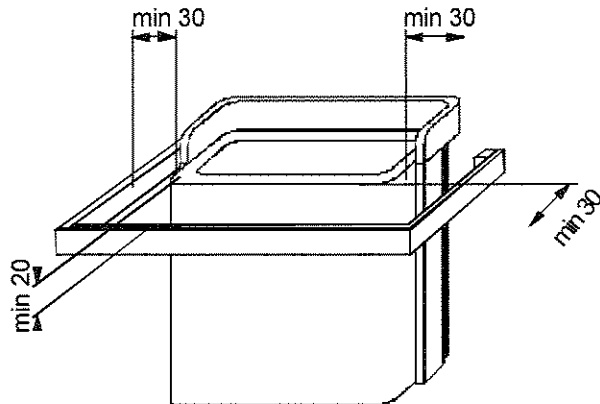
| kW | Fuse | | Cable size to heater | |
|-----|--------|--|----------------------|--|
| | A | | mm ² | |
| 3,0 | 3 x 10 | | 5 x 1,5 | |
| 4,5 | 3 x 10 | | 5 x 1,5 | |
| 6,0 | 3 x 10 | | 5 x 1,5 | |
| 8,0 | 3 x 16 | | 5 x 2,5 | |
| 9,0 | 3 x 16 | | 5 x 2,5 | |

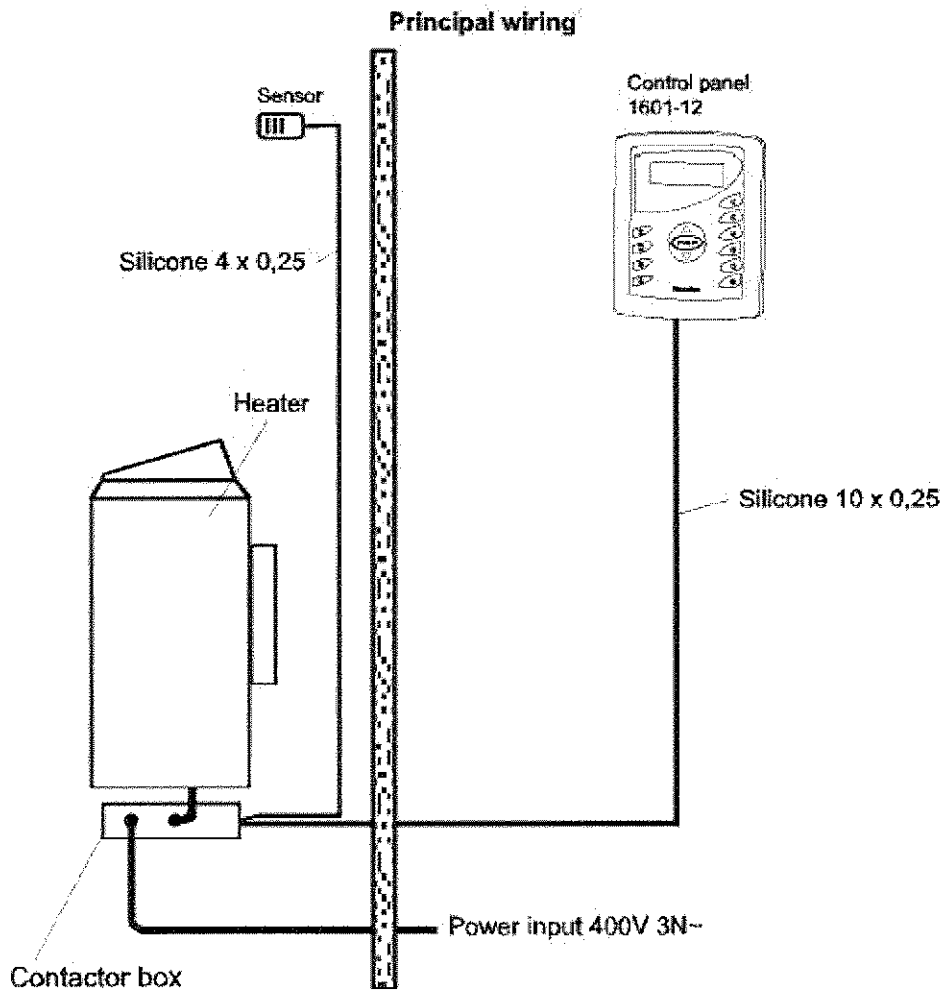
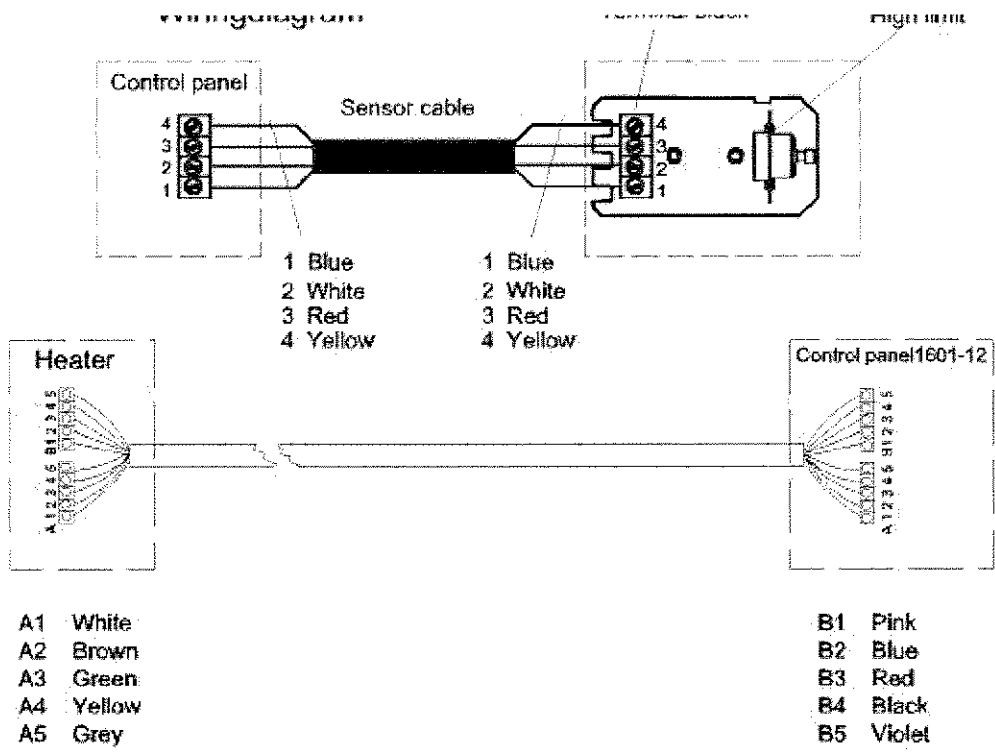
THE HEATERS MINIMUM DISTANCES

| Power kW | Sauna room | | Minimum distance to: | | | | | Stones | | Supply connections From junction box to the heater HO7RN-F 400V 3N~ mm ² |
|-------------|---------------------------------|-----------------------|----------------------|-----------------|-------------------|---------------|-------------|---------------------|---------------------|---|
| | Volume min m ³ | max m ³ | Height min.mm | Side wall mm | In front of mm | Ceiling mm | Floor mm | min Approx kg | max Approx kg | |
| 4,5 | 3 | 8 | 1900 | 40 | 80 | 1100 | 120 | 20 | 35 | 5 x 1,5 |
| 6,0 | 5 | 9 | 1900 | 45 | 100 | 1100 | 120 | 20 | 35 | 5 x 1,5 |
| 8,0 | 8 | 12 | 1900 | 75 | 130 | 1100 | 150 | 20 | 35 | 5 x 2,5 |
| 9,0 | 9 | 13 | 1900 | 80 | 150 | 1100 | 150 | 20 | 35 | 5 x 2,5 |

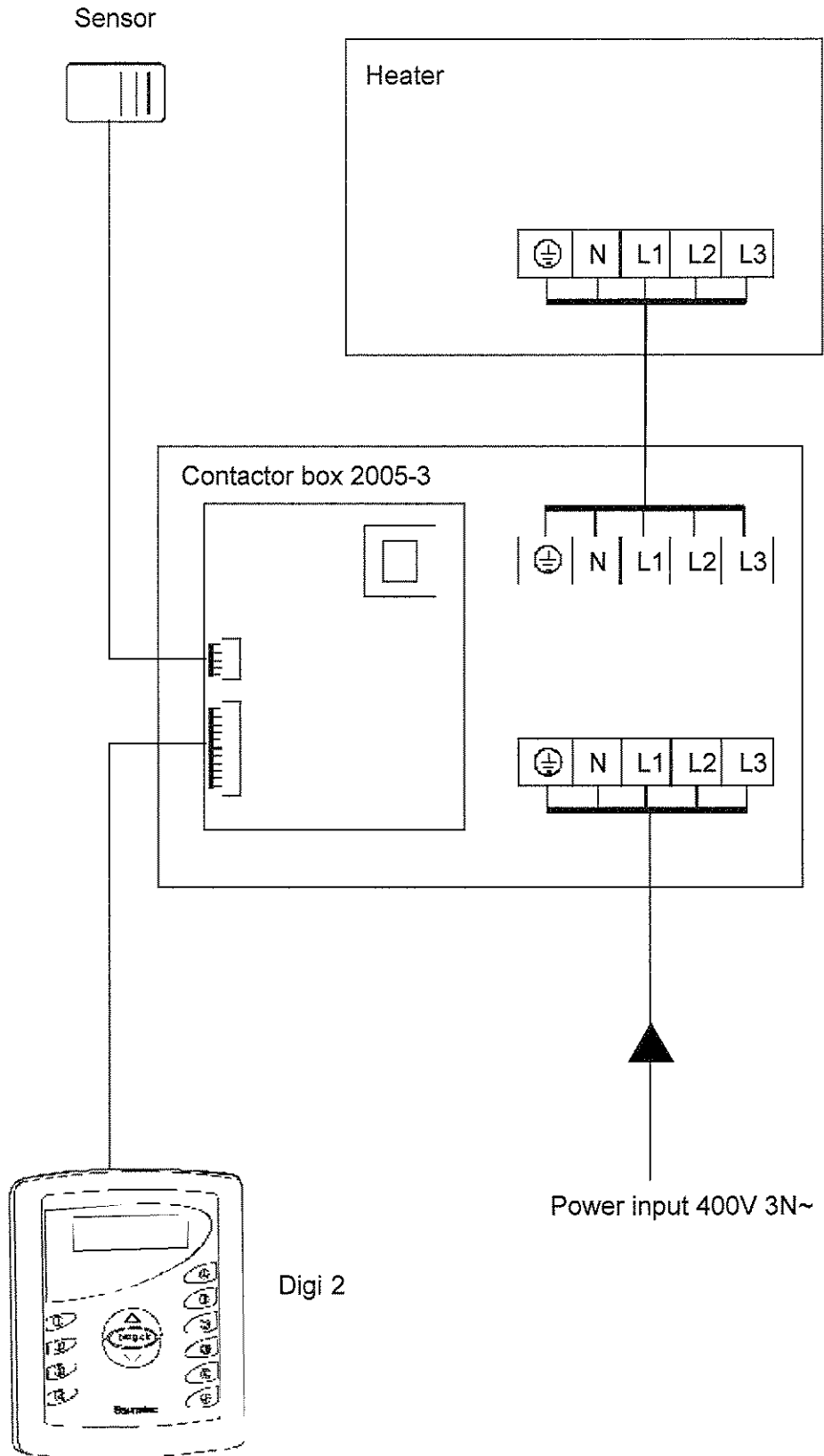


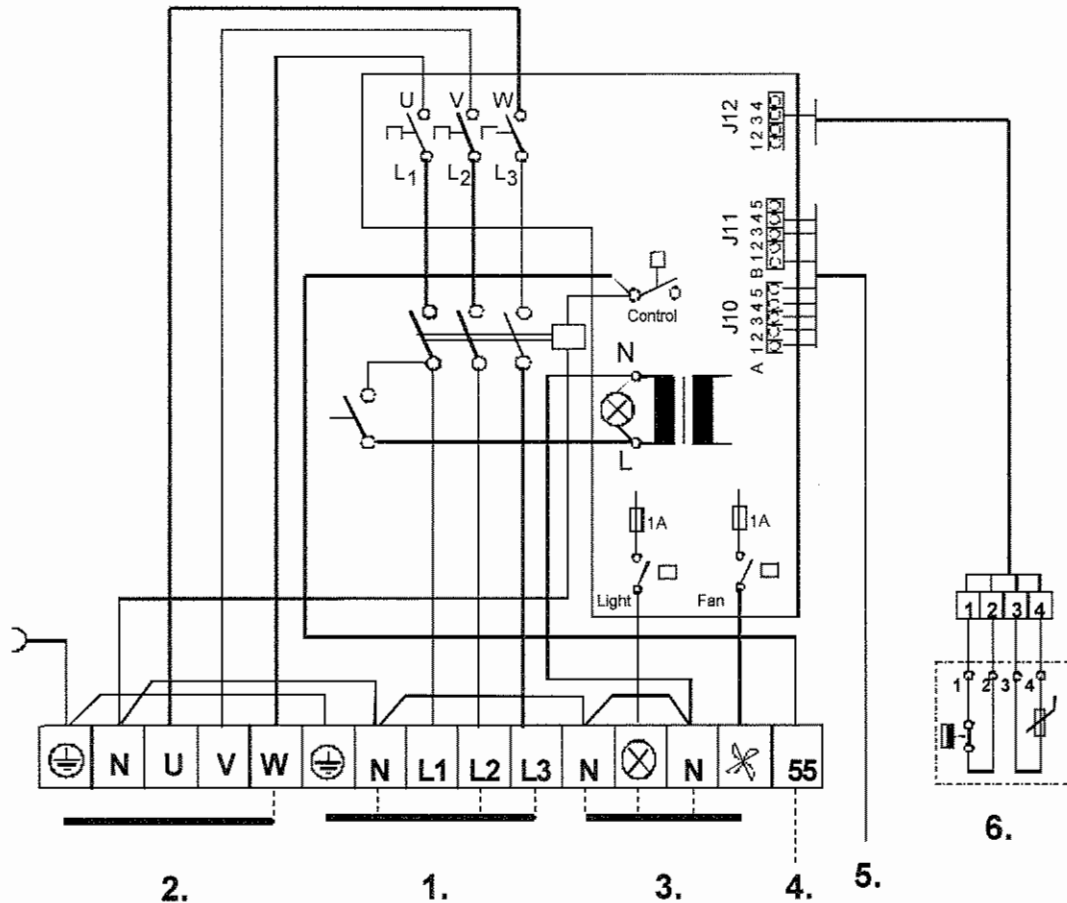
| Heater kW | Minimum distance (mm) | | | | |
|--------------|-----------------------|-----|-----|-----|-----|
| | A | B | D | J | K |
| 4,5 | 40 | 135 | 80 | 245 | 120 |
| 6,0 | 45 | 140 | 100 | 245 | 120 |
| 8,0 | 75 | 170 | 130 | 275 | 150 |
| 9,0 | 80 | 175 | 150 | 275 | 150 |





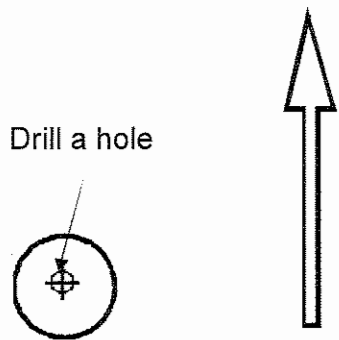
Principal wiring





1. Syöttö/ Nätet/ Stromnetz/ Power input.
2. Kiuas/ Bastuugn/ Saunaofen/ Sauna heater.
3. Saunavalo-Puhallin/ Belysning-fläkt/ Beleuchtung-fan/ Sauna light-fan.
4. Sähkölämmityksen vuorottelu/ El.förregling av annan el. förbrukare/
Control of el heating/ Steuercontact für Verriegelung anderes el.
Verbrauchers
5. Ohjauskeskus/ Styrning/ Steuerung/ Control.
6. Tuntoelin/ Sensor/ Fühler/ Sensor.

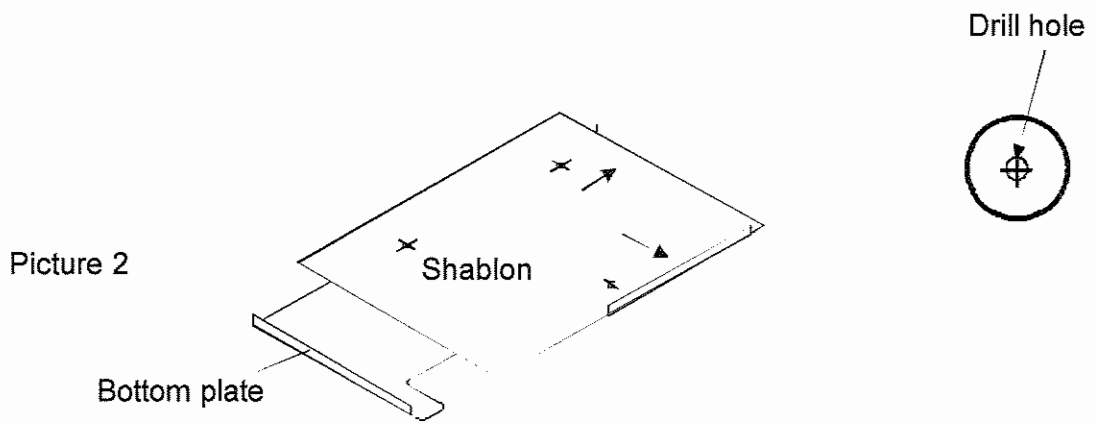
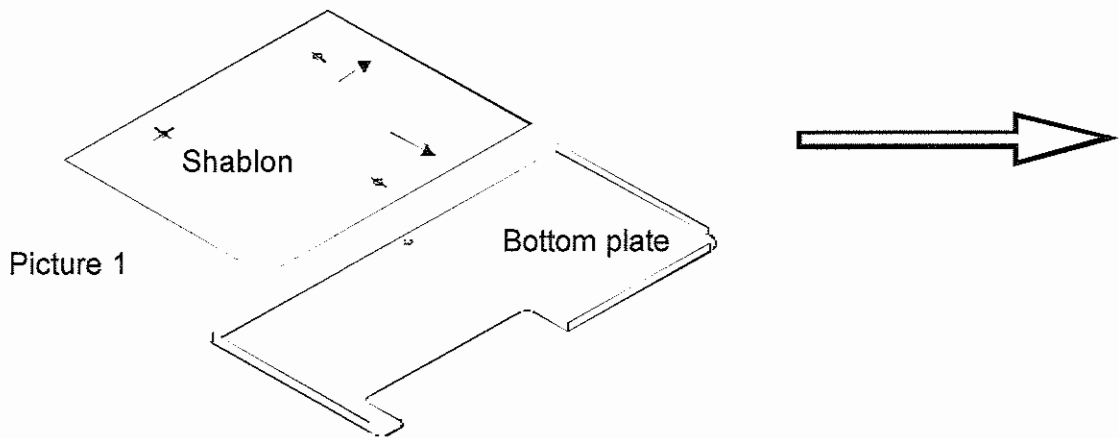
354 SYWE 3A



Drill shablon

Note: This is also a drilling shablon

Unloose the bottom plate from the heater,
so that the bended corners are up. Picture 1



Place the shablon as in picture 2,
and drill 3 holes with $\varnothing 3,2\text{mm}$ diameter.

