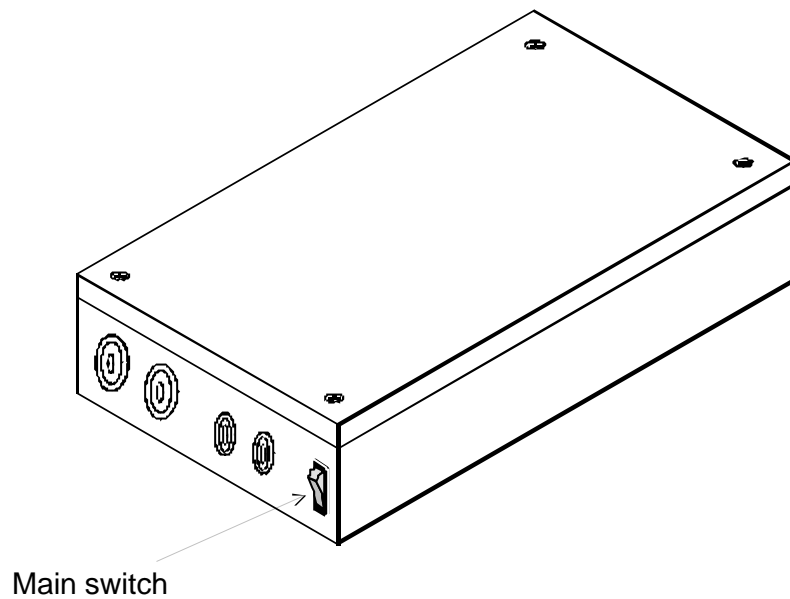


Contactora box 2005-4



The contactor box 2005-4 can be used with following heaters:

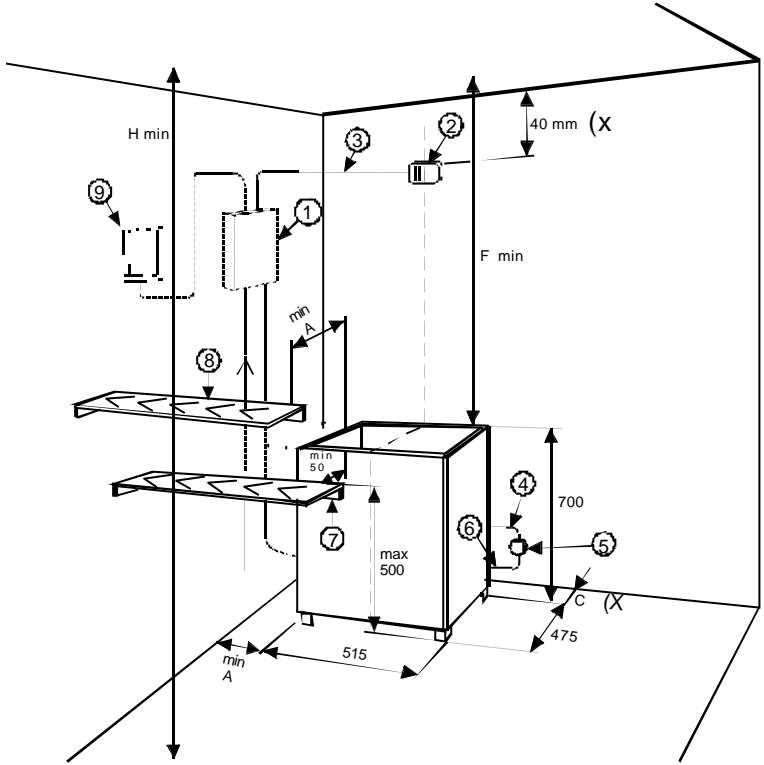
- SKLE 1105 -.....
- SKLF 1106 -.....

The contactor must to be mounted outside the sauna room.

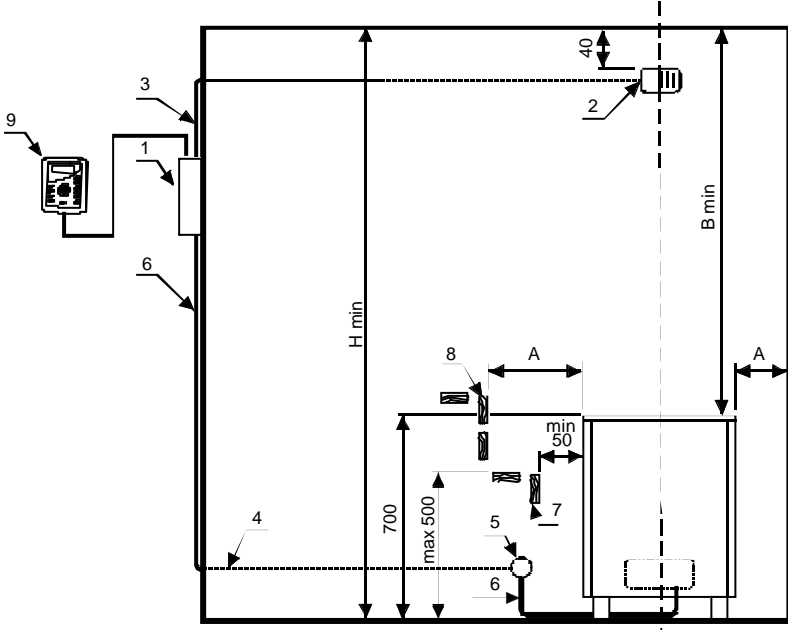
All installation distances have to be followed, otherwise it can cause a fire.

Check the sauna room always before putting on the heater.

Heater Type	Effect kW	Sauna Volume		Height H min mm	Minimum distances From heater to				Sensor unit mm ²	Cables to To Heater and Contactor box mm ²	Main fuse A
		Min m ³	Max m ³		side-wall A mm	ceiling F mm	guard rail and upper bench A mm	Back-wall Absolute C mm			
1105 - 901	9,0	8	13	1900	80	1200	80	110	4 x 0,25	5 x 2,5	16
1105 - 1051	10,5	9	15	1900	80	1200	80	110	4 x 0,25	5 x 2,5	16
1105 - 1201	12,0	10	18	2100	120	1400	120	120	4 x 0,25	5 x 4	20
1105 - 1501	15,0	14	24	2100	120	1400	120	120	4 x 0,25	5 x 6	25



1. Contactor box
2. Sensor
3. Heat resistant cable
4. Feeder cable to heater
5. Junction box
6. Connection cable to heater
7. Lower bench or heater guard rail
8. Upper bench or heater guard rail
9. Control panel



(X= The give measurement is absolute, no variations acceptable!

TABLE 1.											
HEATER		SAUNA			MINIMUM DISTANCES				CABLES TO		
Type	Effect	Volume. Min. Max		Height	From heater to				Ther- mostat	Control panel and heater	Main fuse
					Side- wall	Cei- ling	guard rail and upper bench	Back side Absolute		H07RN-F	
	kW	m ³	m ³	H min mm	min A mm	min F mm	A min mm	C mm	mm ²	mm ²	A
1106 - 601	6,0	6	9	1900	25	1150	25	35	4 x 0,25	5 x 1,5	10
1106 - 901	9,0	8	13	1900	25	1150	25	35	4 x 0,25	5 x 2,5	16
1106 - 1051	10,5	9	15	1900	25	1150	25	35	4 x 0,25	5 x 2,5	16
1106 - 1201	12,0	10	18	2100	65	1350	65	75	4 x 0,25	5 x 4	20
1106 - 1501	15,0	14	24	2100	65	1350	65	75	4 x 0,25	5 x 6	25

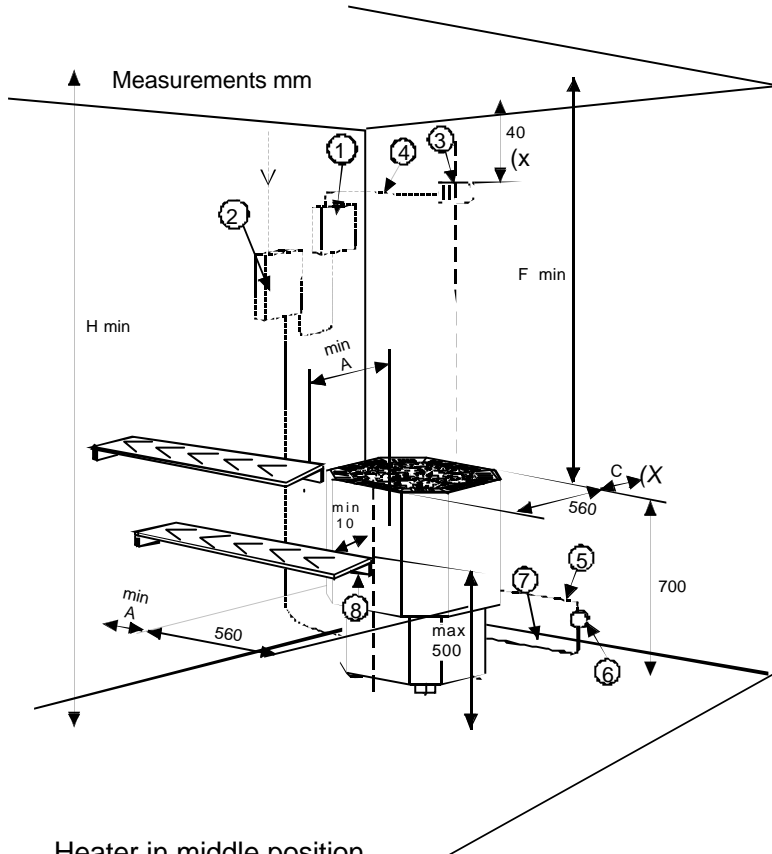
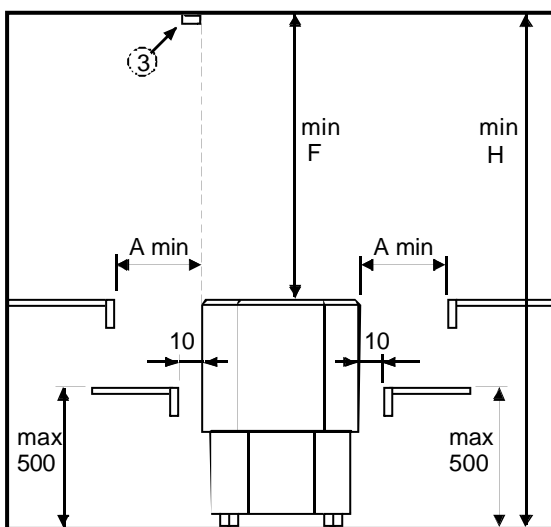


Fig. 1

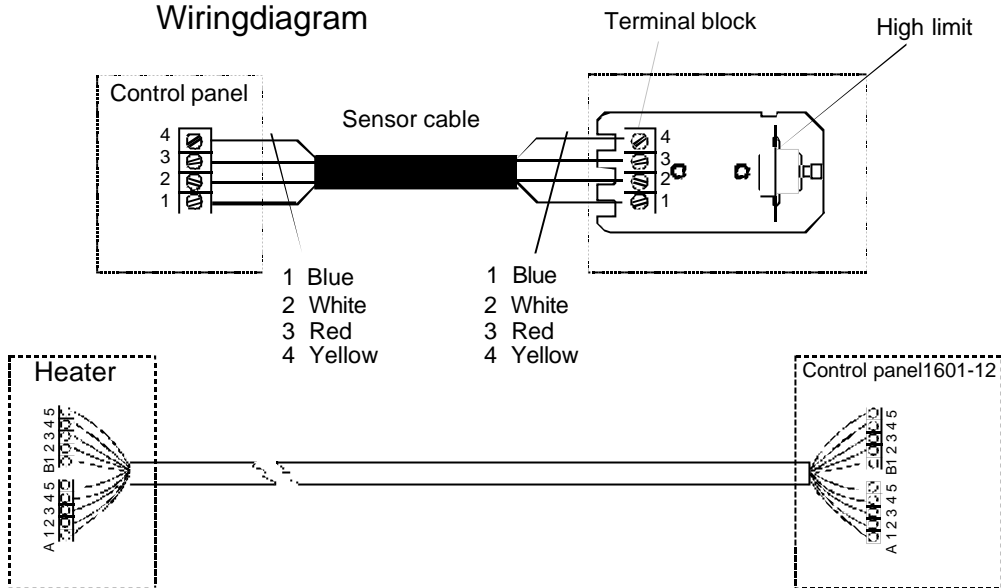
1. Timer and thermostat in control box
2. Contactor box
3. Sensor unit
4. Heat resistant cable
5. Feeder cable to heater
6. Junction box
7. Connection cable to heater
8. Lower bench or heater guard rail.

(X= The given measurement is absolute, no variations acceptable !

Heater in middle position



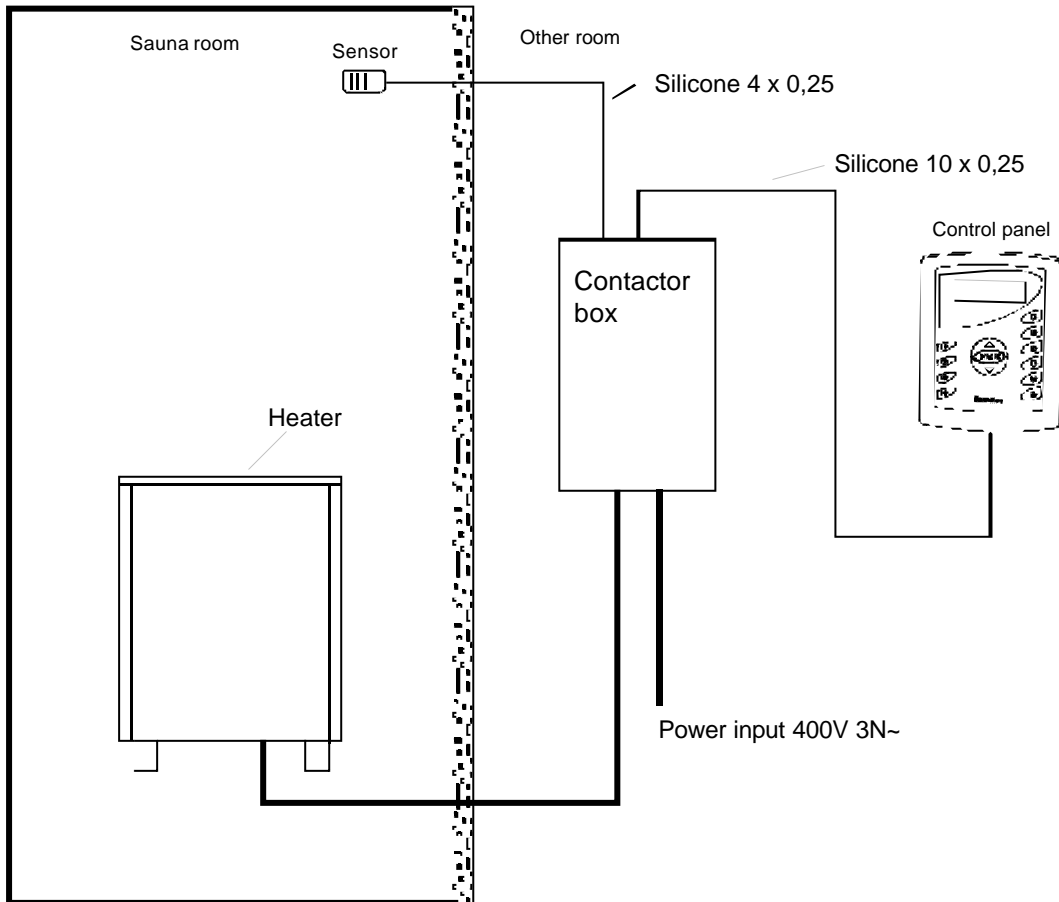
Wiring diagram



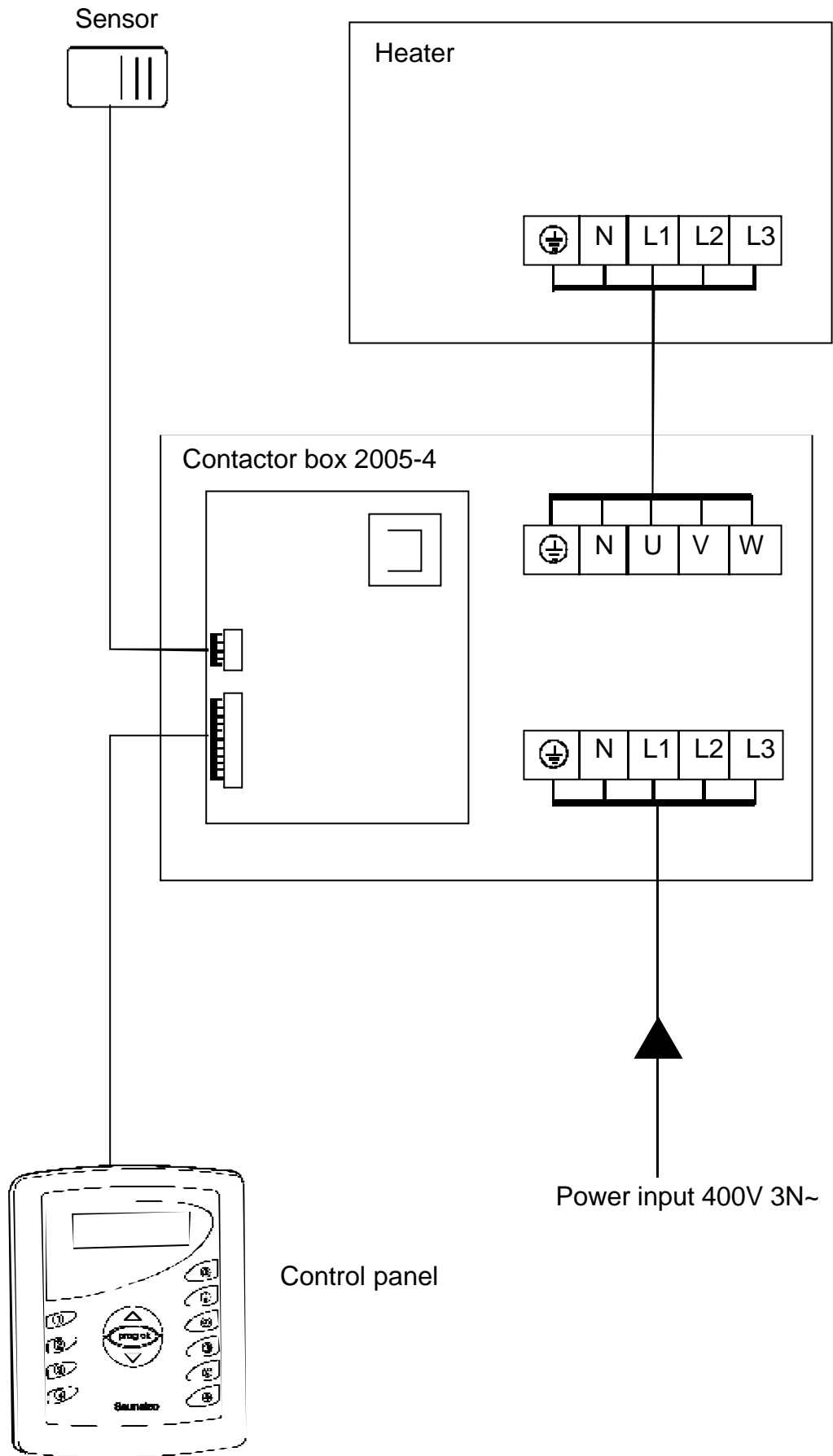
- A1 White
- A2 Brown
- A3 Green
- A4 Yellow
- A5 Grey

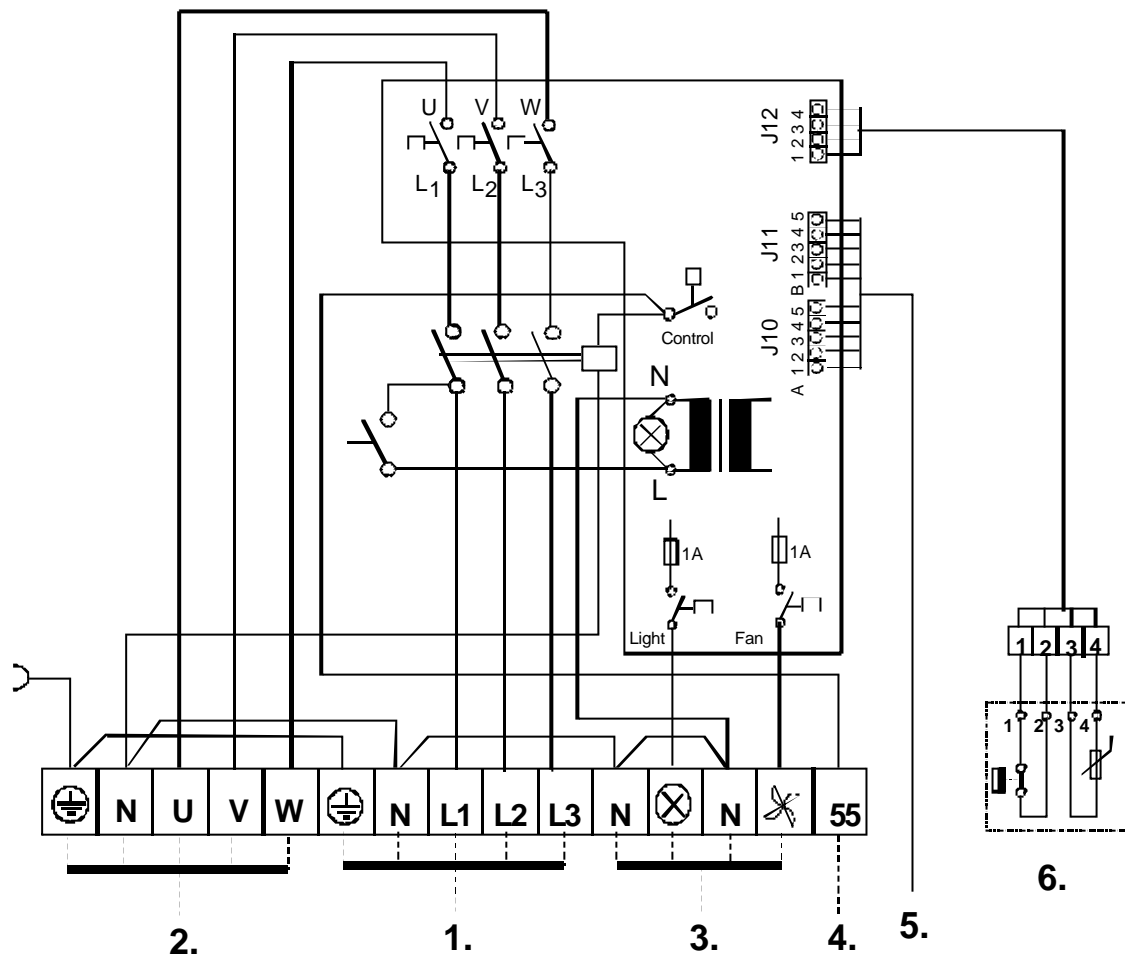
- B1 Pink
- B2 Blue
- B3 Red
- B4 Black
- B5 Violet

Principal wiring



Principal wiring





1. Syöttö/ Nätet/ Stromnetz/ Power input.
2. Kiuas/ Bastuugn/ Saunaofen/ Sauna heater.
3. Saunavalo-Puhallin/ Belysning-fläkt/ Beleuchtung-fan/ Sauna light-fan.
4. Sähkölämmityksen vuorottelu/ El.förregling av annan el. förbrukare/ Control of el heating/ Steuercontact für Verriegelung anderes el. Verbrauchers
5. Ohjauskeskus/ Styrning/ Steuerung/ Control.
6. Tuntoelin/ Sensor/ Fühler/ Sensor.

354 SYWE 3A